

LOHAS

AUSTRALIA

ROOF TILE COLLECTION

MODERN TILE 301 ROOF TILES SPEC GUIDE

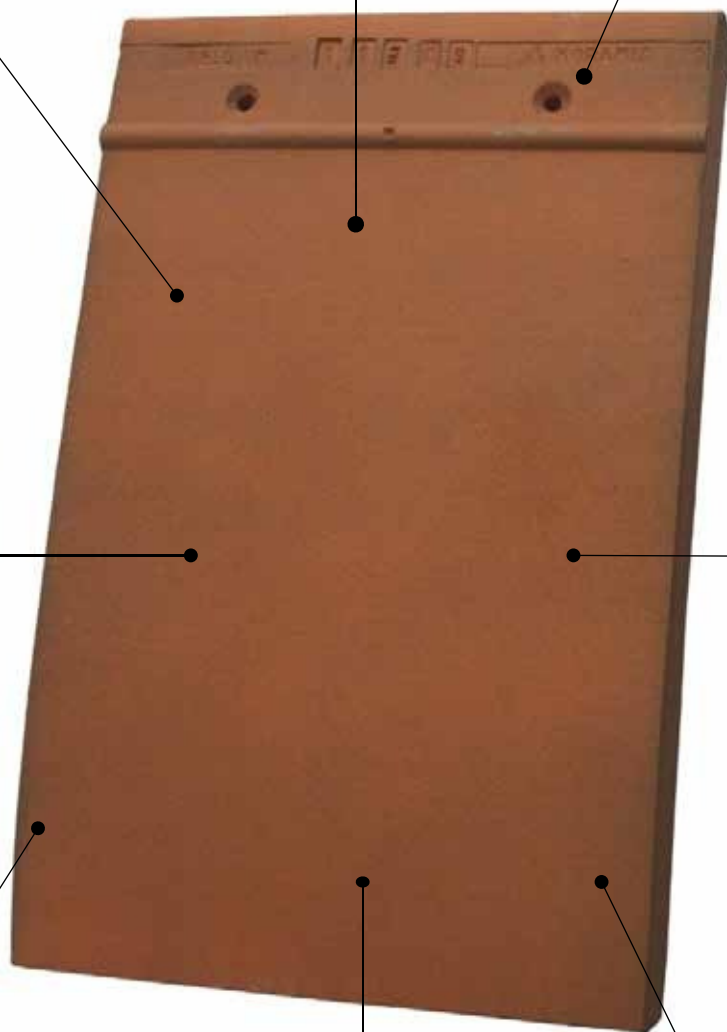
LOHASAU.COM

Tile 301 Toscana

A lot of ceramic accessories to finish roof and facade

Fits in the most diverse architectural styles

Provided with two nail holes for easy anchoring



Continuous adhesive rib for easy placement

Ideal for fine detailing

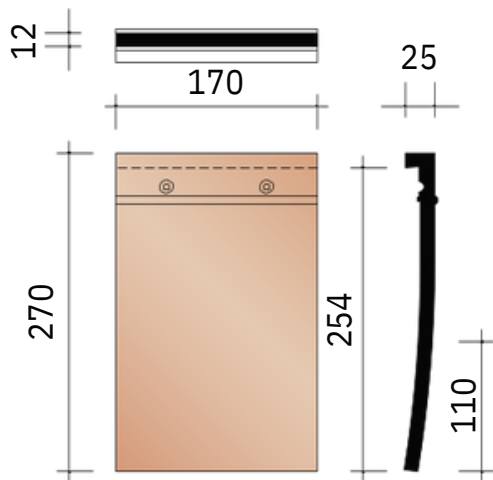
Available in 11 colors including white glazed

With its flat shape, Tile 301 is ideally suited for roofs and facades or to extend straight facade lines to the roof

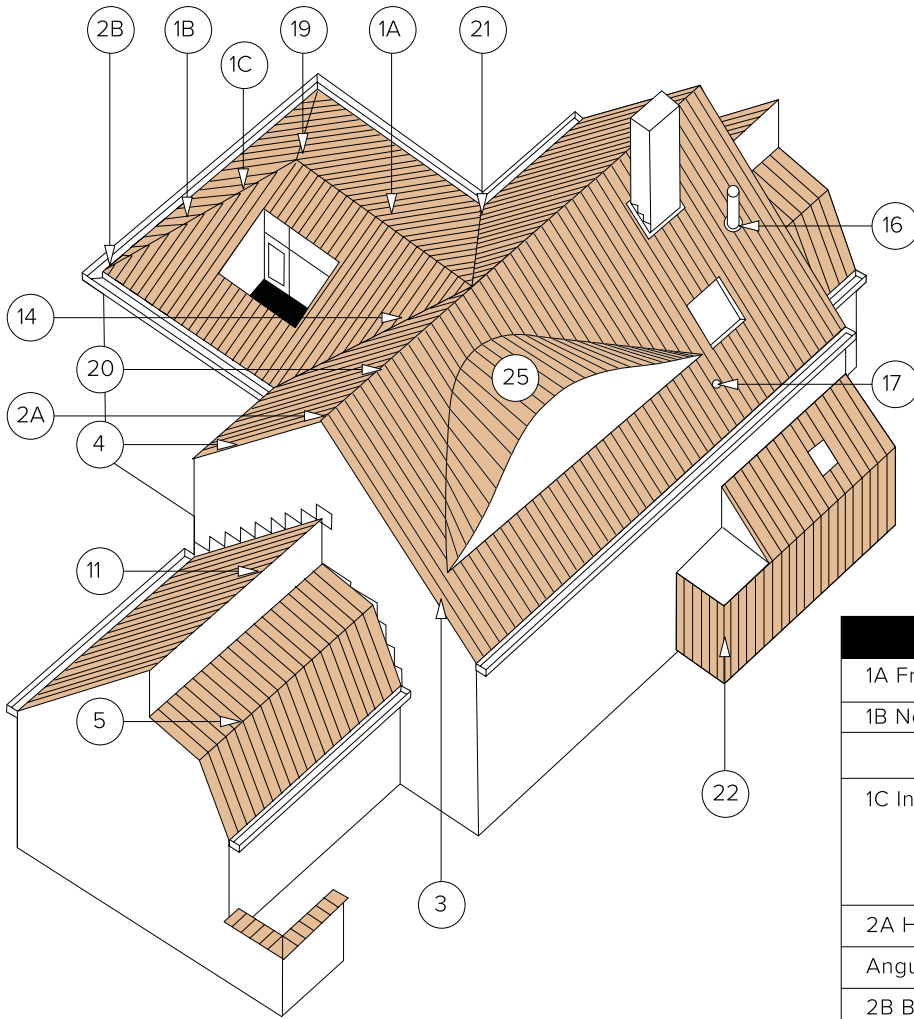
Perfect to combine with Stormpan 44 and 993, Flemish Pan 401 and Old Pottelberg Pan 451

30 year warranty on frost resistance

TECHNICAL INFORMATION



Definition:	Flat drawn clay tile tile with continuous adhesive rib
Min. roof slope with shelter - Fleece of Fleece Plus: - Fleece Plus: - Fleece Premium:	35° at a batten distance of 110 mm 25° at a batten distance of 90 25° with a batten spacing of 110 mm, subject to the instructions in the Facade and Underroof Foils brochure
Useful length (bar spacing): depending on the roof	± 100 mm ± 90 mm
Useful width:	± 170 [EN 1024]
Number of pieces/m ² : with batten spacing of 110 mm: with batten spacing of 90 mm:	± 54 pieces ± 66 pieces
Unit weight:	± 1.06 kg
Weight per m ² : with batten spacing of 110 mm: with batten spacing of 90 mm:	± 55.1 kg ± 67.3 kg
Breaking load:	> 600 N [EN 538]
Impermeability:	≤ 0,5 cm ³ /cm ² .d [EN 539-1]
Frost resistance:	Frost resistance [EN 539-2]
Placement:	Crosswise



1A Frost	1800
1B North	3400
	3700
1C Integrated north	3470
	3480
	3490
2A Head plate	1840
Angular initial frost without head plate	1830
2B Beginning north	3410
	3710
3 Left facade tile	7080
	7020
	7120
4 Right facade tile	7090
	7030
	7130
5 Articulated pan	8200
11 Hook frost	8510
	8520
14 One and a half pan	8020
16 Kit cooker + cap	8961
17 Ventilation pan kit 19	8611
Connecting piece	5810
	5850
20 Short pan	8110
21 Worked-in sleeper	3180
22 Corner piece for facade cladding	8800
	8810
25 Convex pan	8900
Left hollow pan	8910
Right hollow pan	8920

* Tip: the tiles must not be placed against each other (± 1 mm distance), to avoid damage to the tiles due to the setting of the supporting structure

1



2



3



1. Tile 301 mix of Natural Red, Amarant and Rustic

2. Tile 301 White glazed

3. Tile 301 mix of Wine red glazed, Brown glazed, Braised Blue and Anthracite

COLOUR RANGE



Natural Red



Toscana



Rustic



Amarant



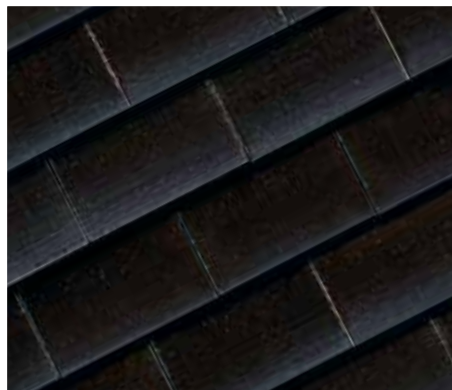
Braised Blue



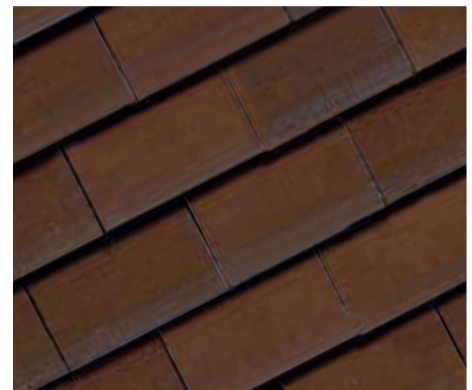
Anthracite



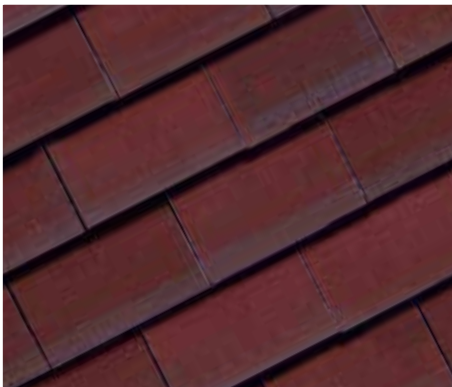
Slate Matt Glazed



Black Glazed



Brown Glazed



Wine Red Glazed



White Glazed

1



2



3



4



5



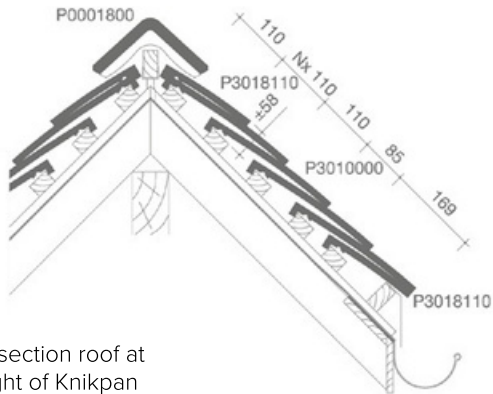
6



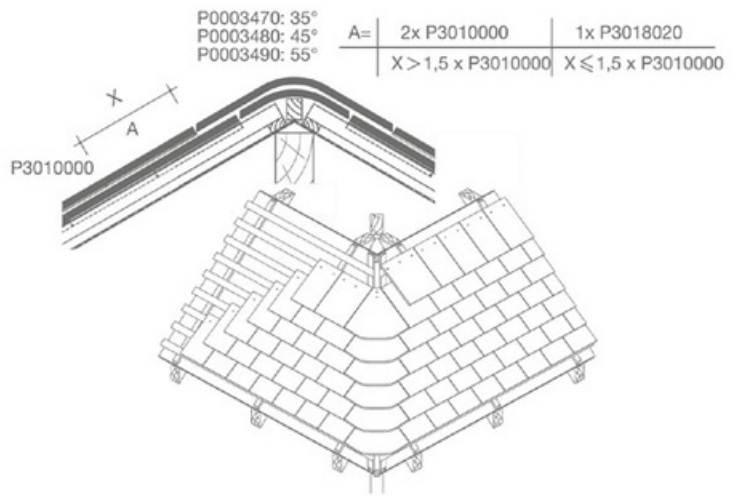
1. Tile 301 Slate matt glazed
2. Tile 301 Braised Blue
3. Tile 301 mix of Anthracite and Black glazed
4. Tile 301 Natural Red
5. Tile 301 Rustic
6. Tile 301 Wine red glazed

TECHNICAL INFORMATION - LAYING PLANS

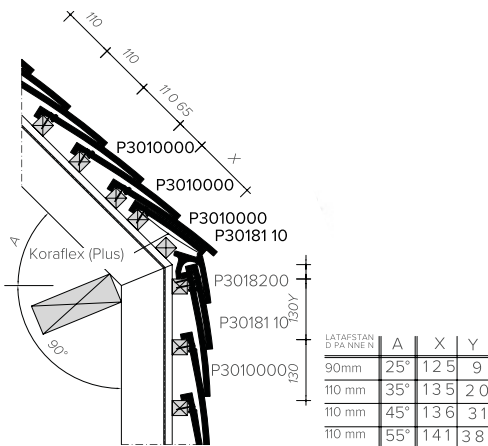
Length-section roof at frost



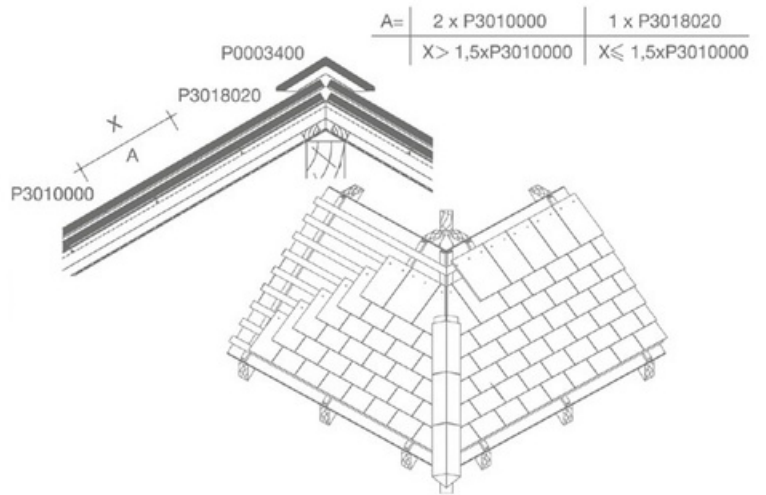
Roof section at the height of the north section



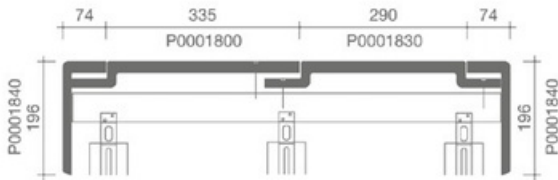
Length-section roof at the height of Knikpan



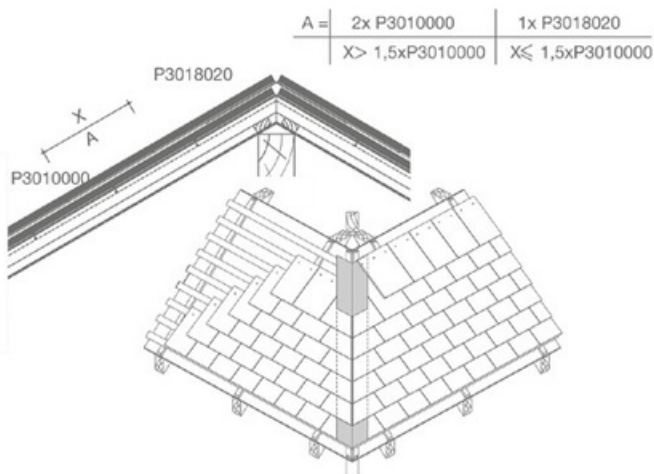
Roof section at the north with north locating on top



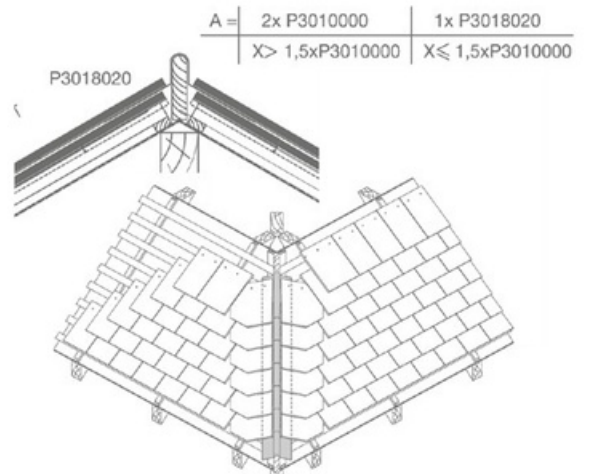
Cross-Section roof at frost



Roof section at north with worked lead replacement Koraflex (plus)

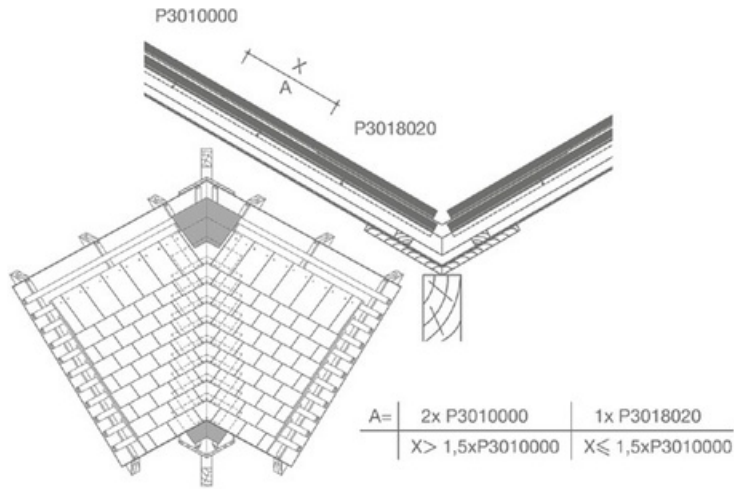


Roof section at north with roof flat

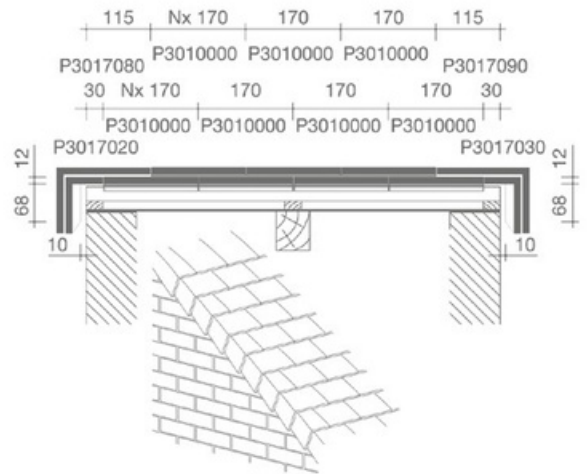


TECHNICAL INFORMATION - LAYING PLANS

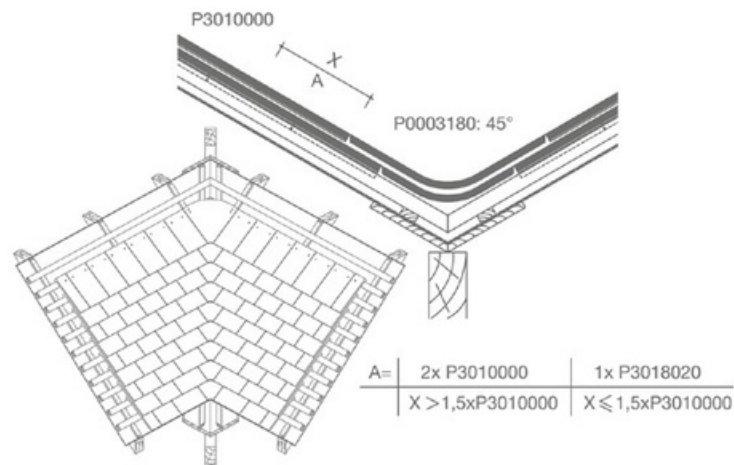
Roof section at keel gutter with worked lead replacement Koraflex (plus)



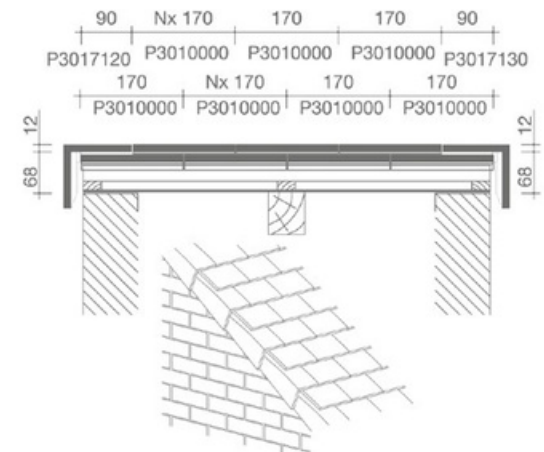
Cross-section roof at the height of the facade tile - Belgian system



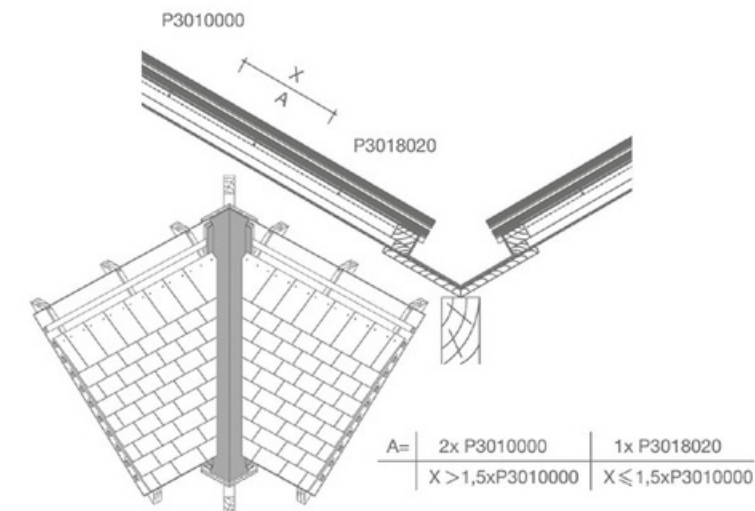
Roof section at the height of integrated keel gauge pan



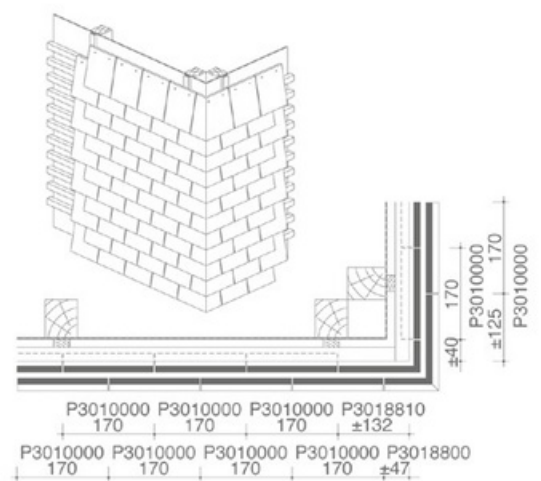
Cross-section roof at the height of facade pan - French system



Roof-section at the height of keel gut in metal

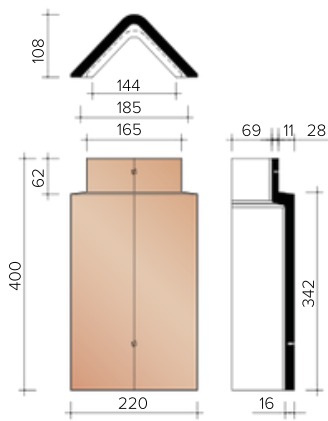


3D drawing facade cladding with section

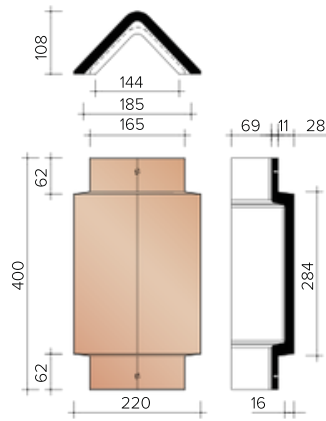


Tip: the tiles must not be placed against each other (± 1 mm distance), to avoid damage to the tiles due to the setting of the supporting structure.

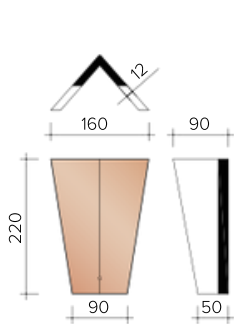
TECHNICAL INFORMATION



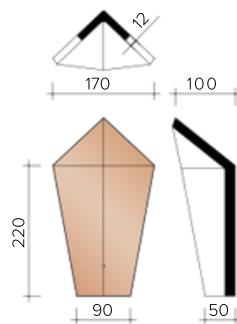
P0001800
3 pieces/Lm Angular frost



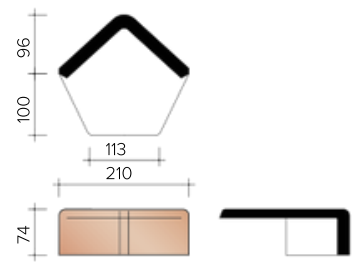
P0001830
Angular initial frost without head plate



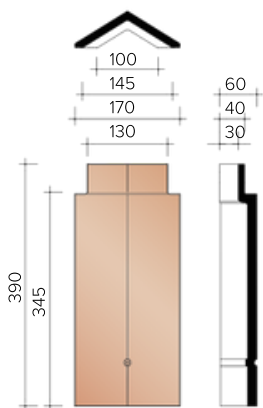
P0003700
9.1 pieces/Lm Kleine Angular north



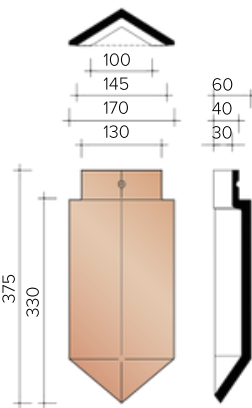
P0003710
Small Angular Beginning North



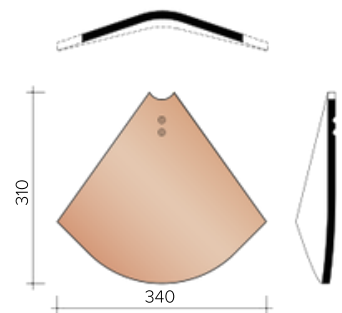
P0003710
Small Angular Beginning North



P0003400
2.9 pieces/Lm Angular North

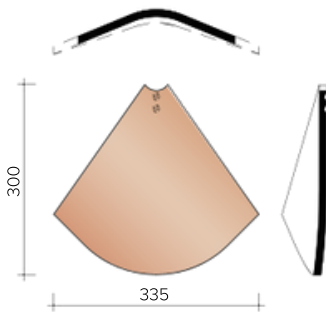


P0003410
Angular Beginning North

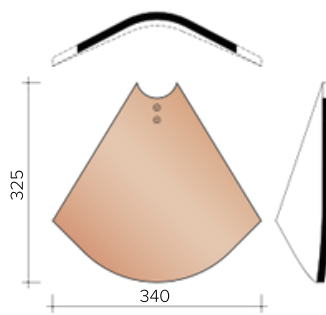


P3013470
9.1 pieces/Lm Integrated north boom 35°

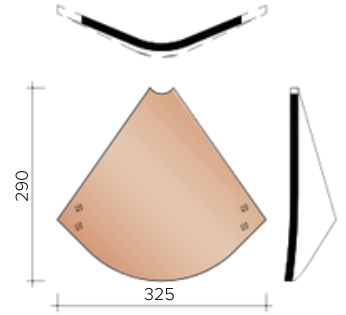
TECHNICAL INFORMATION



P3013480
9.1 pieces/Lm
Ingewerkte noordboom 45°

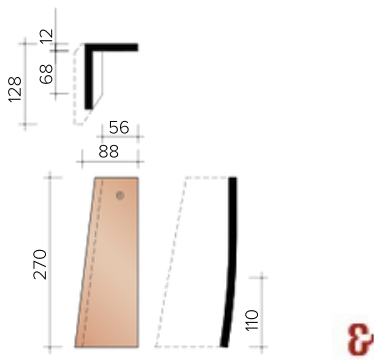


P3013490
9.1 stuks/L m
Ingewerkte noordboom 55°

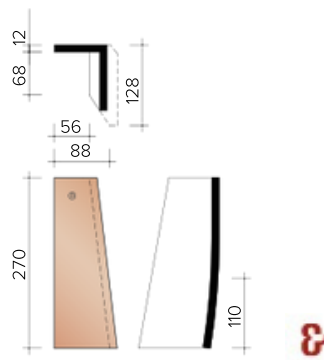


P3013180
9.1 pcs/Lm Worked-in
sleeper (keel gutter) with a
roof pitch of 45°

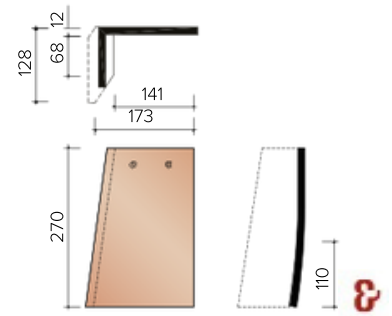
TECHNICAL INFORMATION - CLADDING TILES



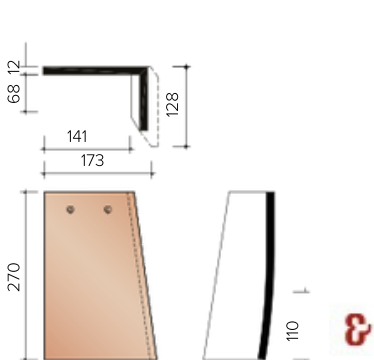
P3017020
4.5 pieces/Lm Left half facade tile



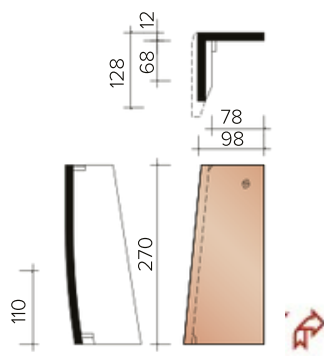
P3017030
4.5 pieces/Lm Right half facade tile



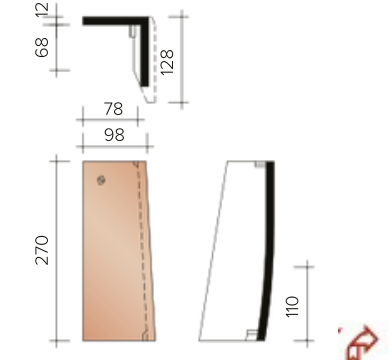
P3017080
4.5 pieces/Lm Left facade tile




P3017090
4.5 pieces/Lm Right facade tile



P3017120
4.5 pieces/Lm Special left half
facade tile

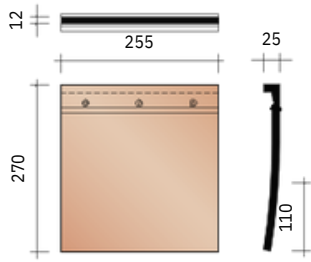


P3017130
4.5 pieces/Lm Special right
half facade tile

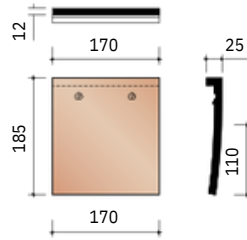
 can always be used together

 to be used alternately with tile pans

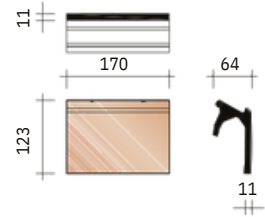
TECHNICAL INFORMATION - OTHER ACCESSORIES



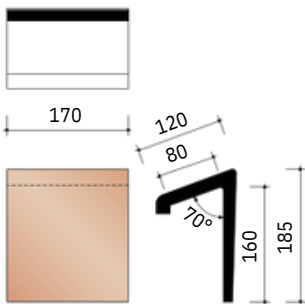
P3018020
One and a half pan



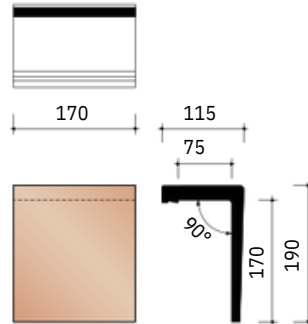
P3018110
5.9 pieces/Lm Short pan



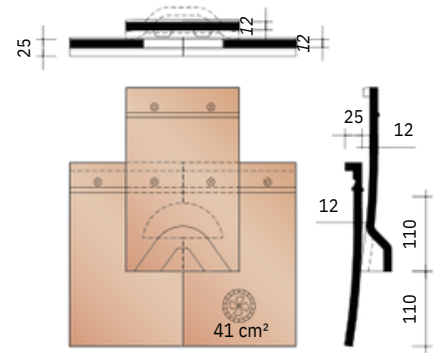
P3018200
5.9 pieces/Lm Articulated pan



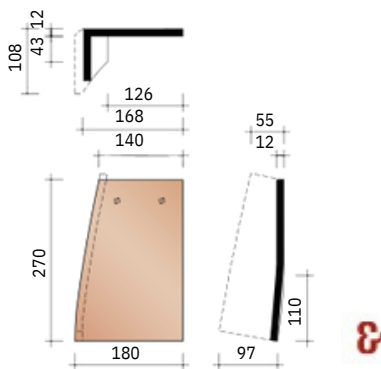
P3018510
5.9 pieces/Lm Hook frost 70°



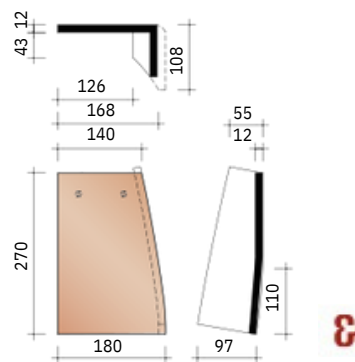
P3018520
5.9 pieces/Lm Hook frost 90°



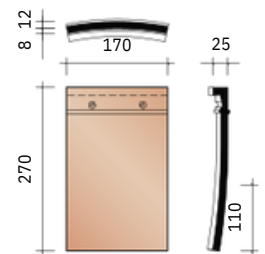
P3018611
Kit ventilation pan with grid - 41 cm²




P3018800
4.5 pieces/Lm Left corner piece
(cladding)



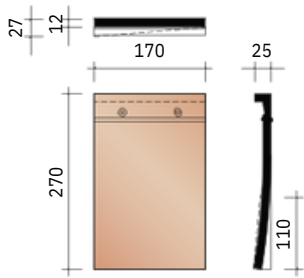
P3018810
4.5 pieces/Lm Right corner piece
(cladding)



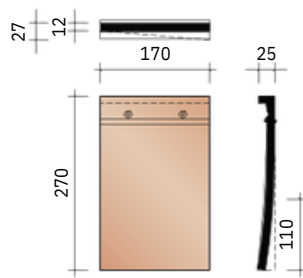
P3018900
Bolle pan (Napoleon's hat)

 can always be used together

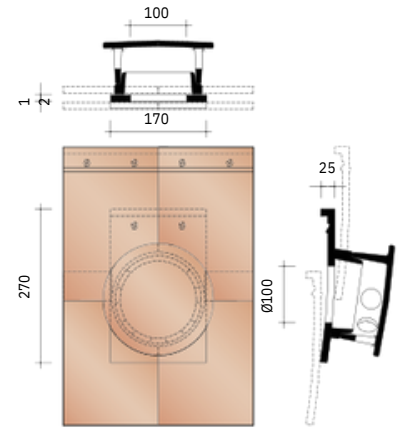
TECHNICAL INFORMATION - OTHER ACCESSORIES



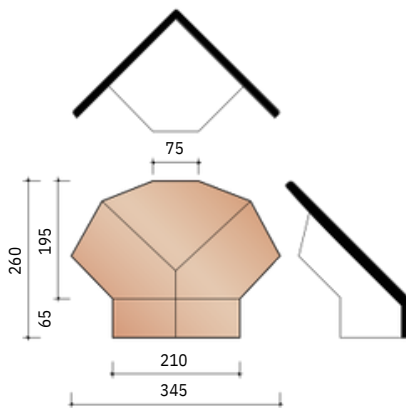
P3018910
Left hollow pan (Napoleon's hat)



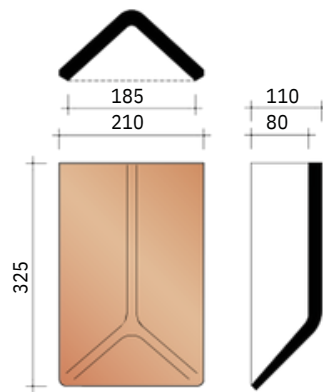
P3018920
Right hollow pan (Napoleon's hat)



P3018961
Cooker pan kit \varnothing 100 mm + cap - 95
cm² + connection module



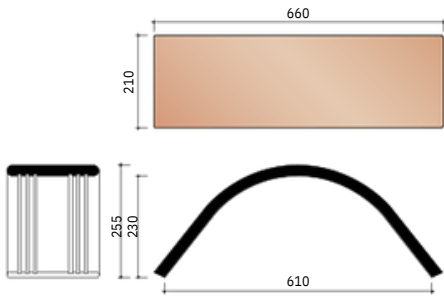
P0005810
Connection piece between 1 angular
frost 1800 and 2 north 3400/3700



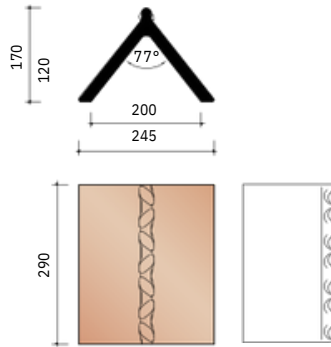
P0005850
Connection piece between 1 angular frost 1800
and 2 integrated north 3470, 3480 and 3490



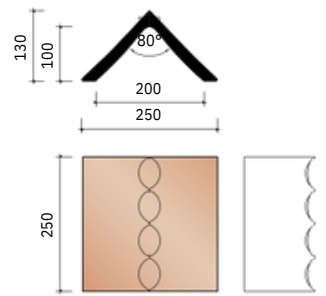
TECHNICAL INFORMATION - SPECIAL MONARCHS



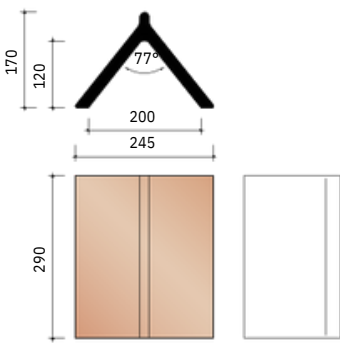
P0000010
4.5 pieces/Lm
Straw Frost (Natural Red or Brown)



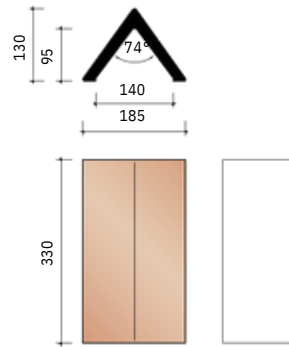
P0000100
3,4 pieces/Lm Special frost with
"Thumbstroke" - old mode



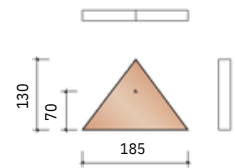
P0000200
4 pieces/Lm Special frost with
"Thumbstroke"



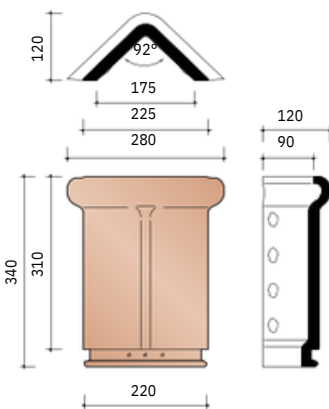
P0000300
3.4 pieces/Lm Ordinary prelate



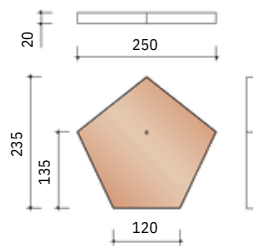
P0000400
3 pieces/Lm Lectern frost



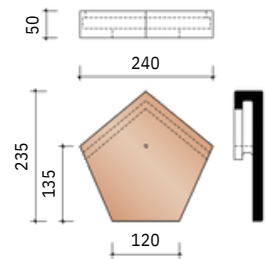
P0000410
Head plate for lectern frost



P0000500
3.2 pieces/Lm Frost

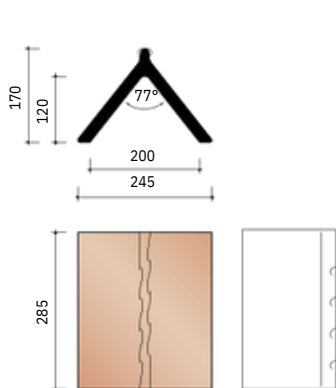


P0000510
Start head plate for rush frost

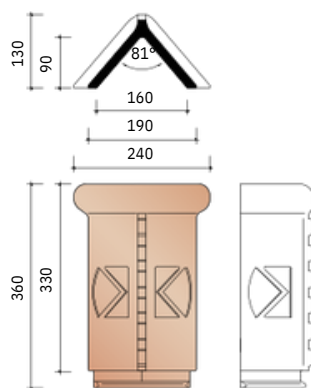


P0000540
End head plate for rush frost

TECHNICAL INFORMATION - SPECIAL MONARCHS



P0000600
3.5 pieces/Lm
Special frost with comb



P0000700
3 pieces/Lm
Prelate with comb and shield



LOHAS

CONTACT US

P 02 9566 2114
E info@lohasau.com

W lohasau.com
IG [@lohas_australia](https://www.instagram.com/lohas_australia)

LOHAS Australia is a proud distributor of the Wienerberger product range.

