

# LOHAS

AUSTRALIA

ROOF TILE COLLECTION

## HERITAGE RUSTICA ROOF TILES SPEC GUIDE

[LOHASAU.COM](http://LOHASAU.COM)



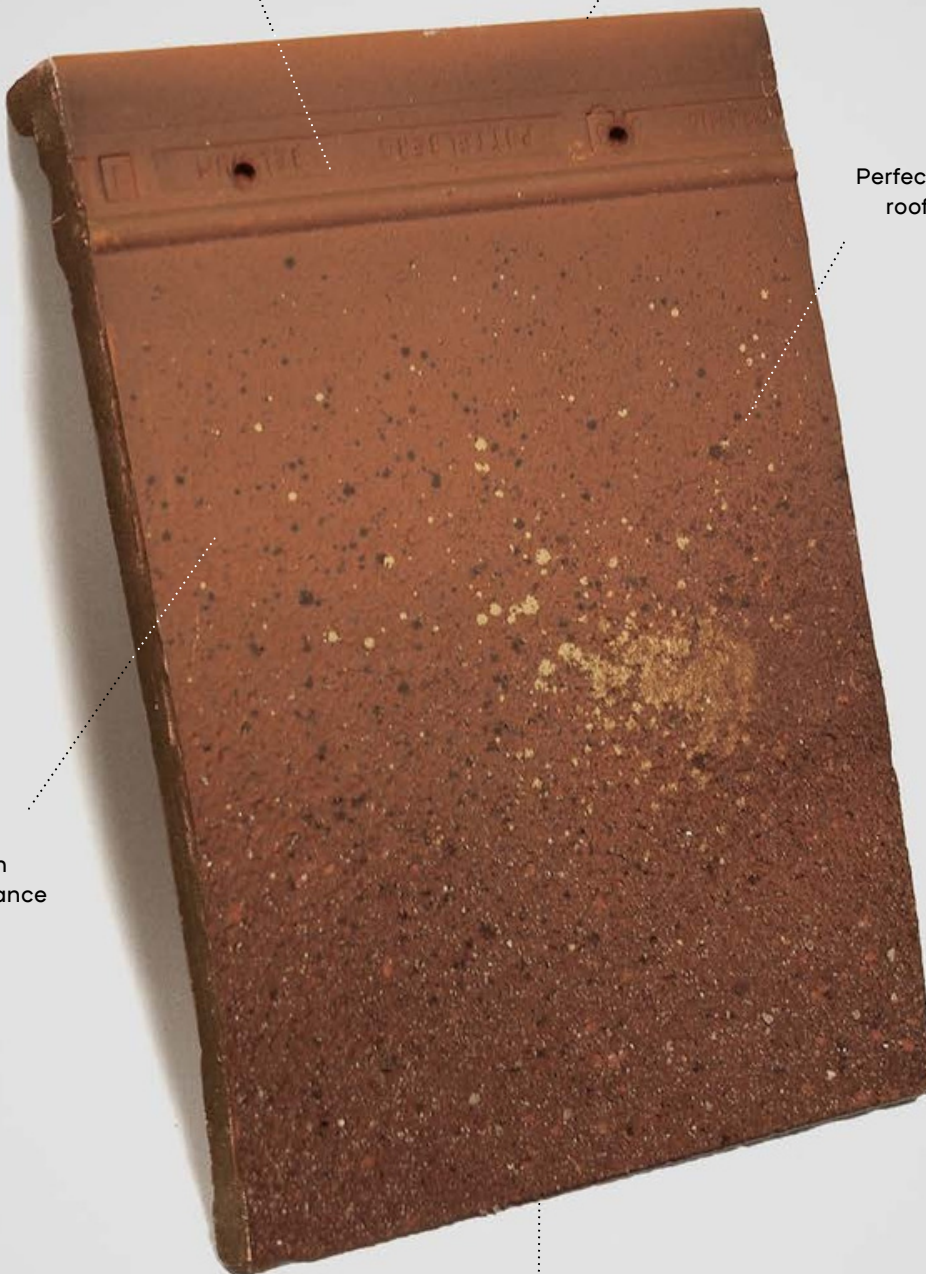
Ceramic accessories for a detailed finish

Continuous adhesive rib for fast and stable placement

Perfect to combine with other roof tiles from the range

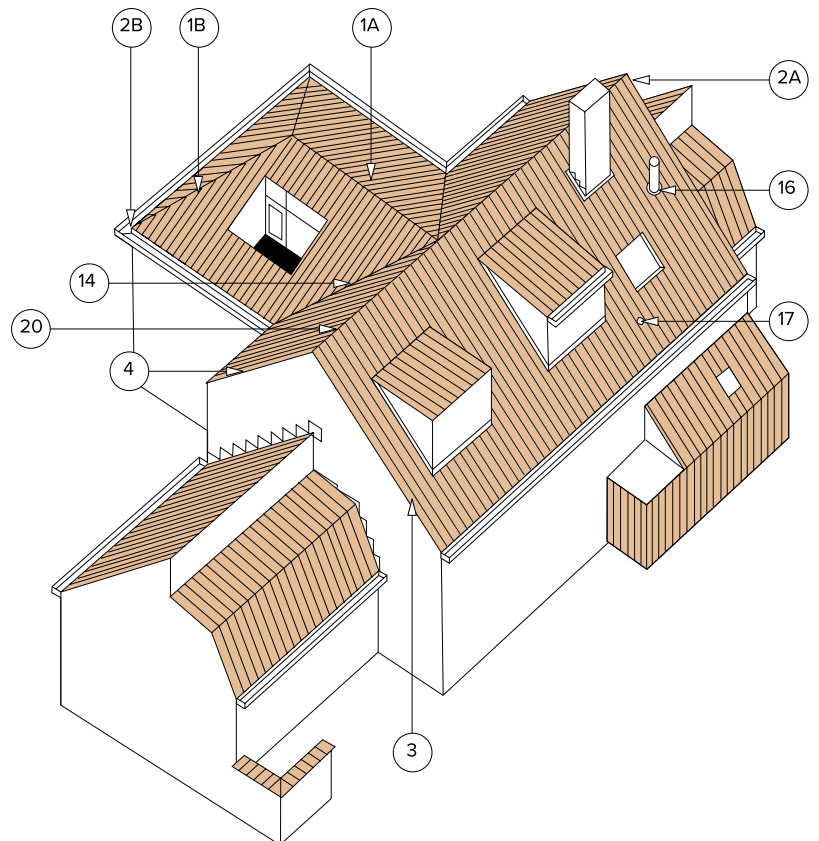
30 year warranty on frost resistance

Unevenly shaped cuffs for an authentic look



# Technical Information

Defintion:	Aged flat drawn clay tile with continuous bonding rib	
Minimum roof pitch with shelter: -Fleece or Fleece Plus: -Fleece Premium:	35° at a batten distance of 110 mm 15° (subject to observance of the instructions in the façade and under roof films brochure)	
Batten Distance:	± 110 mm	
Width:	± 170 mm [EN 1024]*	
Number of pieces/m2:	± 54 pieces with a batten distance of 110 mm	
Unit weight:	± 1.07 kg	
Weight per m2:	± 57.8 kg with a batten distance of 110 mm	
Breaking load:	>600 N [EN 538]	
Impermeability:	≤ 0,5 cm3/cm2[EN 539-1]	
Frost resistance:	Frost resistance [EN 539-2]	
Placement:	Straight	



1A Frost	2900
1B North	3700
2A Head Plate	2940
2B Beginning North	3710
3 Left facade tile	7120
4 Right facade tile	7130
14 One and a half pan	8020
16 Kit cooker + cap	8961
17 Kit Ventilation pan	8611
20 Short pan	8110

\* Tip: the tiles must not be placed against each other (± 1 mm distance), to avoid damage to the tiles due to the setting of the supporting structure.

# Colour Range



Turf



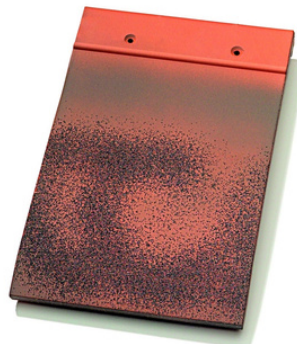
Braised Blue



Rossa



Obscura



Sanded Old English Rustic



Sanded Old English Heather



Sanded Old English Weathered





1



2



3





4

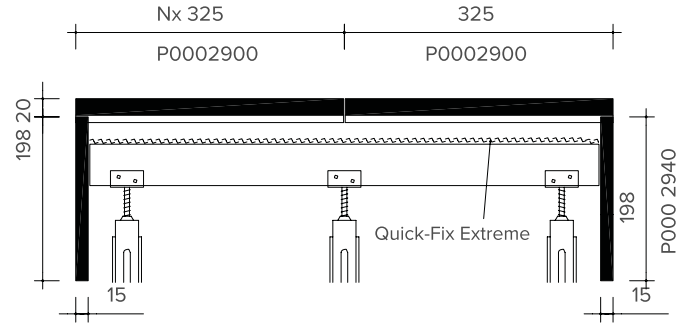
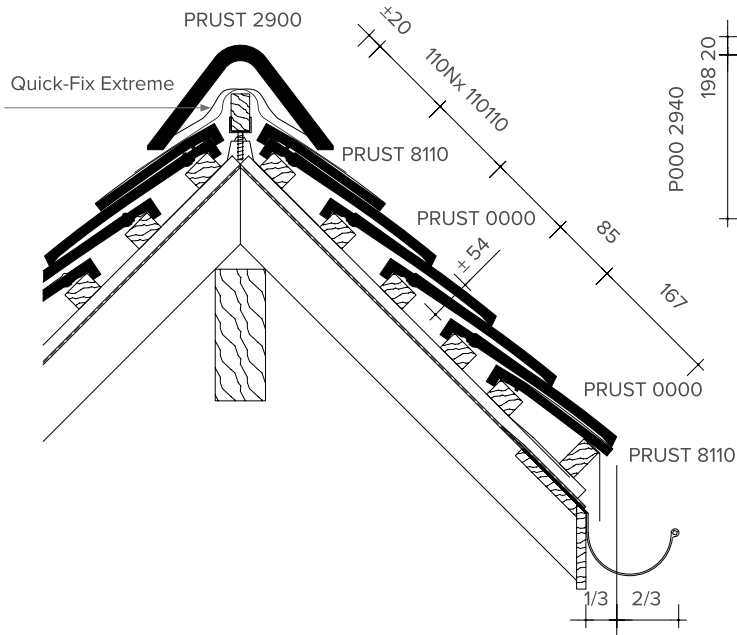
1. Rustica Braised blue
2. Rustica Turf
3. Rustica Braised blue
4. Rustica Turf



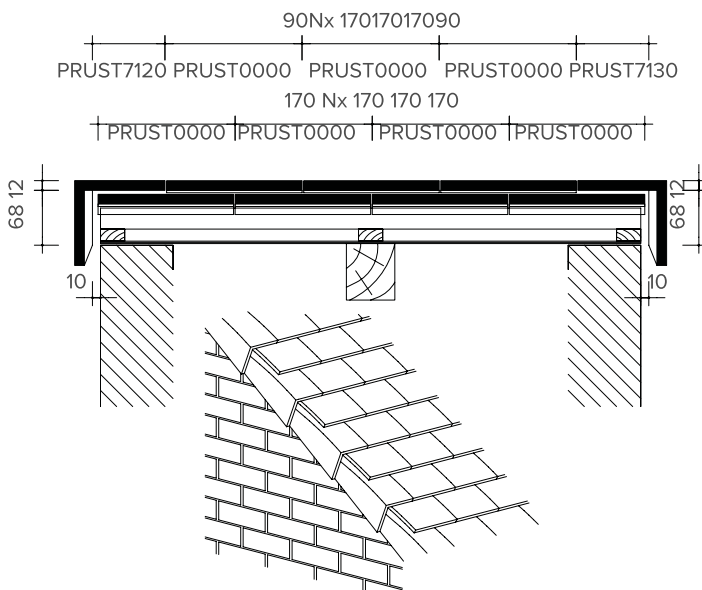
# Laying Plans

Length-section roof at frost 2900 with quick-fix extreme

Cross-section roof at frost 2900 with quick-fix extreme



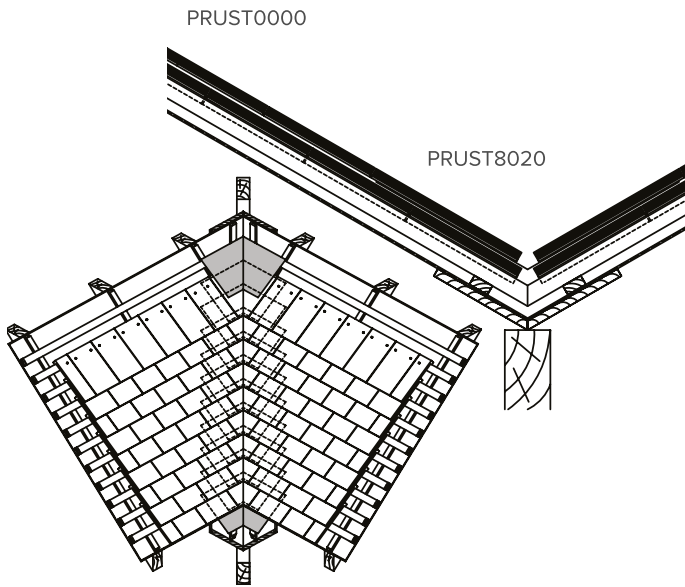
\*Cross-section roof at the height of facade pan French system



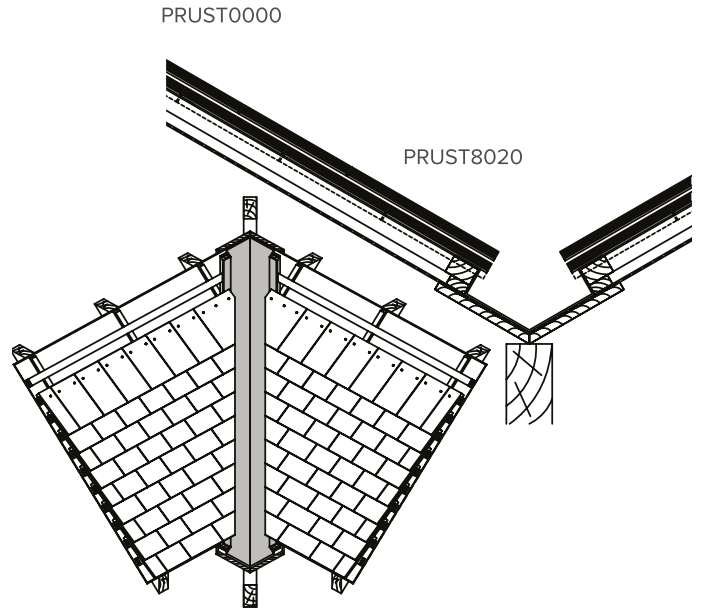
\* Tip: the tiles must not be placed against each other ( $\pm 1$  mm distance). This is to avoid damage to the tiles due to the setting of the supporting structure.

# Laying Plans

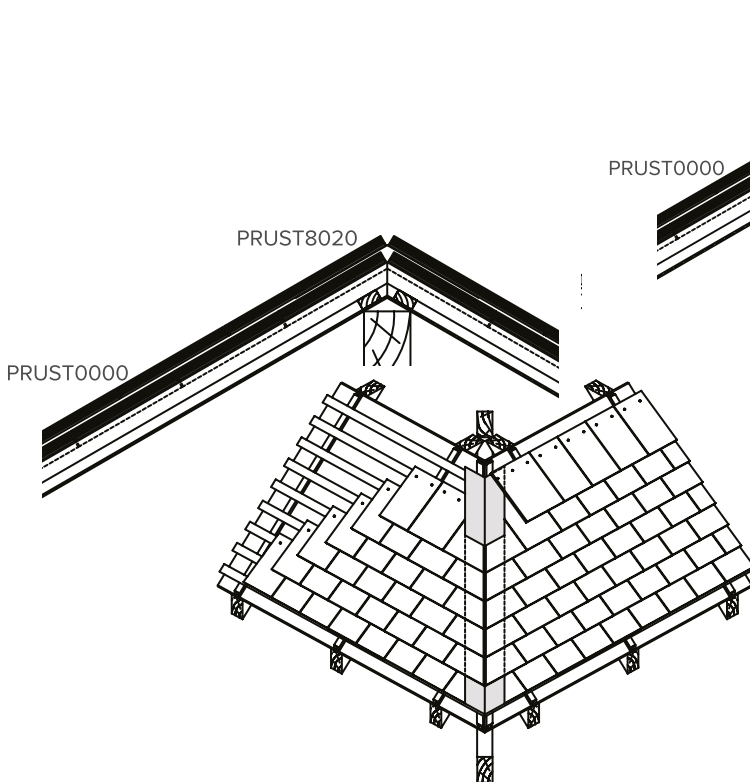
Roof section at the gutter with worked lead replacement Koraflex (plus)



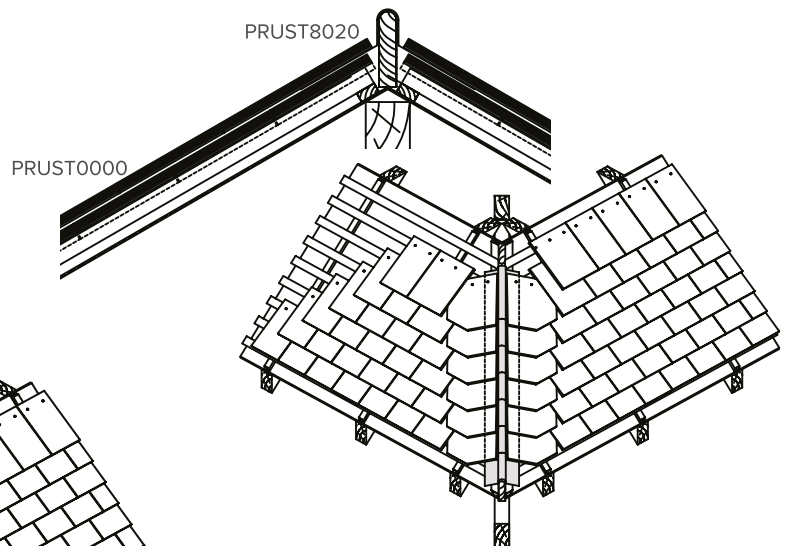
Roof section at the height of gutter in metal



Roof section at north with worked lead replacement Koraflex (plus)

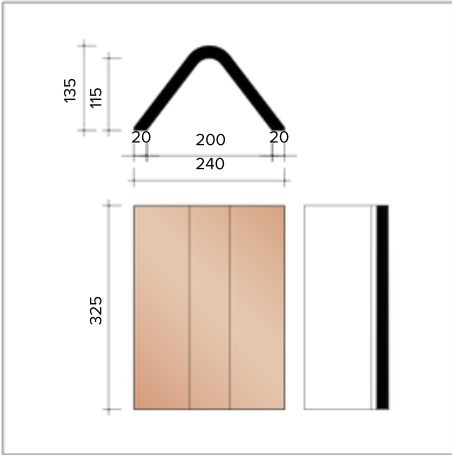


Roof section with flat roof

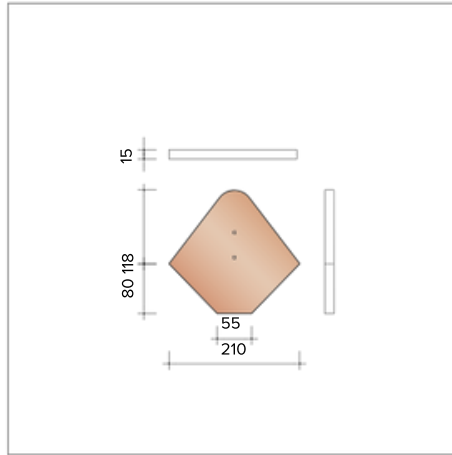




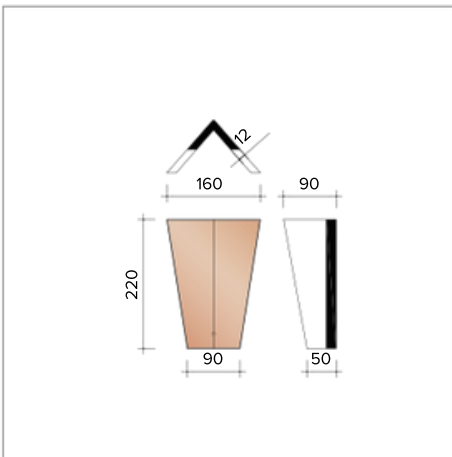
# Rustica



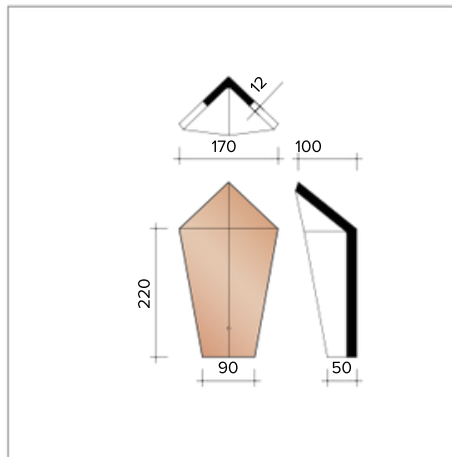
P00029003  
Angular frost without closure



P0002940  
Head plate for angular frost without closure

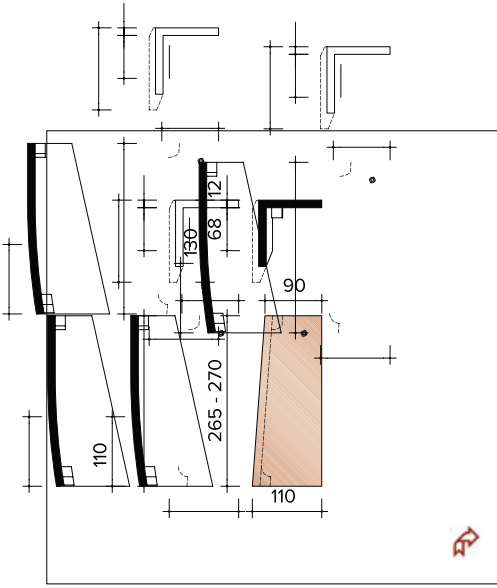


P0003700  
Small angular

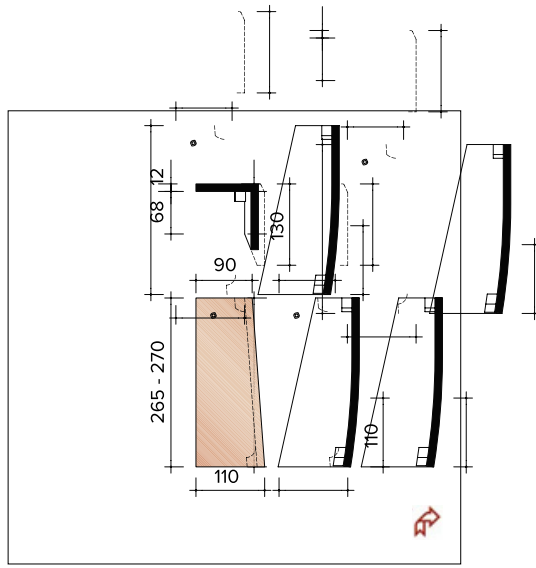


P0003710  
Small Angular Beginning

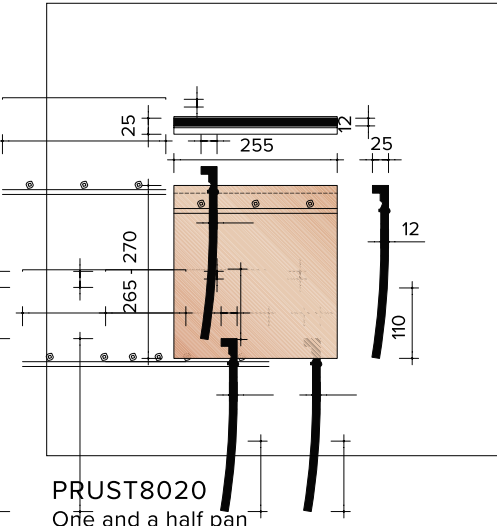
# FacadeTiles and Other Accessories



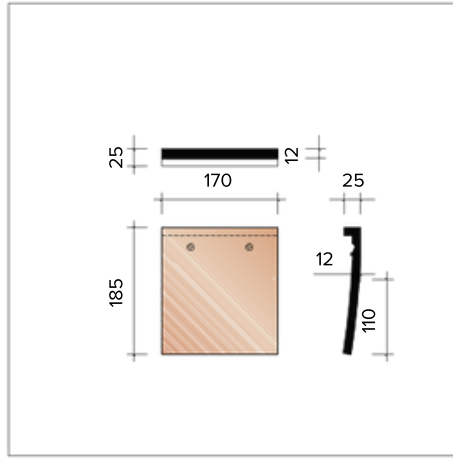
**PRUST7120**  
Special left half facade tile



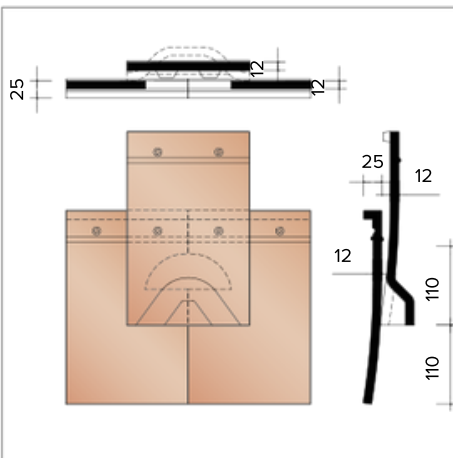
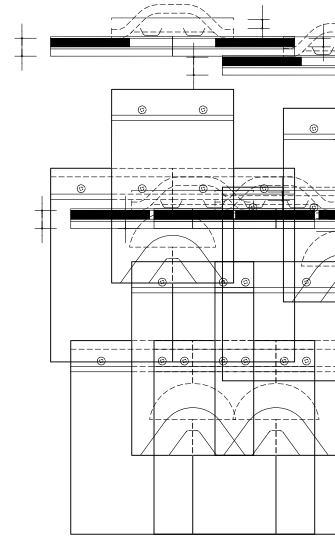
**PRUST7130**  
Special right half facade tile



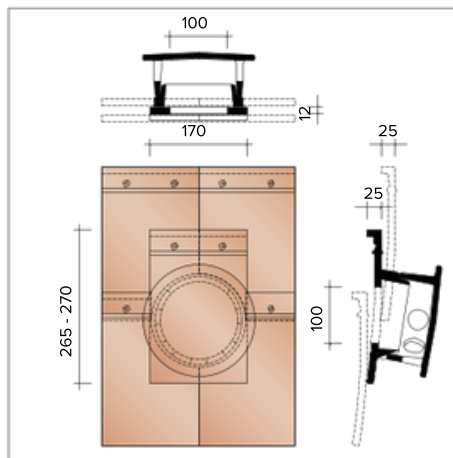
**PRUST8020**  
Ofce and a half pan



**PRUST8110**  
Korte pan



**PRUST8611**



**PRUST8961**



# LOHAS

## CONTACT US

P 02 9566 2114  
E [info@lohasau.com](mailto:info@lohasau.com)

W [lohasau.com](http://lohasau.com)  
IG [@lohas\\_australia](https://www.instagram.com/lohas_australia)

LOHAS Australia is a proud distributor of the Wienerberger product range.

